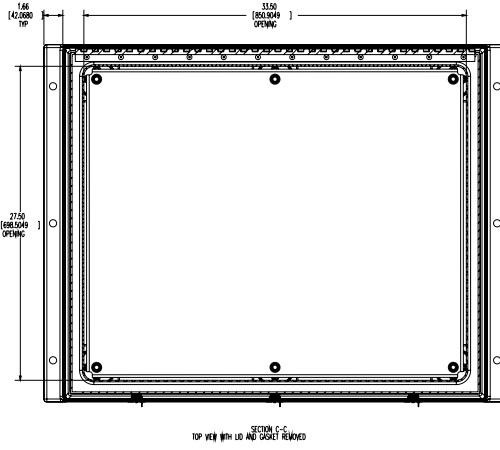
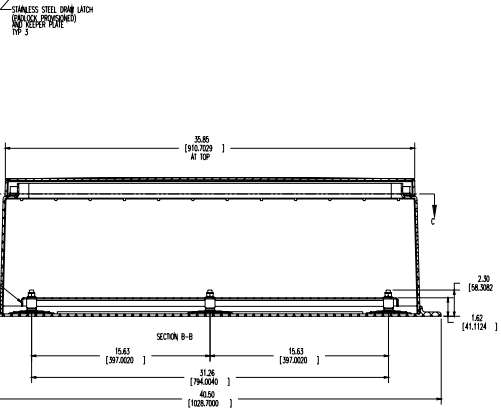
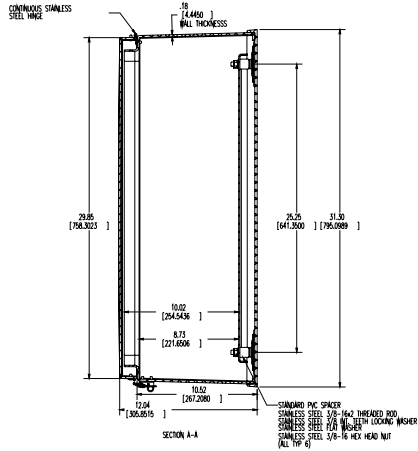
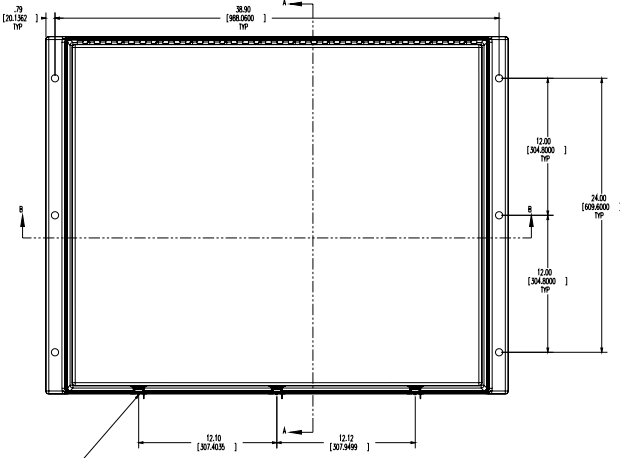


DATE	BY	DESCRIPTION	REV	OK	NO.



MATERIAL:
 BOX - GEL-COAT FIBERGLASS, POLYESTER RESIN
 LID - GEL-COAT FIBERGLASS, POLYESTER RESIN
 CONT. WOOD SEAL

PART No. PJW363010L
 for more information visit
www.hammfg.com
 Data subject to change without notice
 Drawing Not to Scale